



# BYD Battery-Box Premium Operating Manual

LVS Lite 4.0,8.0,12.0,16.0

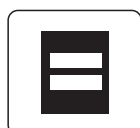
On Grid Application Only

V1.0

PREMIUM



BYD Europe B.V.



Be Connect



## Legal Provisions

All the information in this document is the property of BYD Europe B.V. No part of this document could be reproduced in any way for business use. Internal use is allowed.

BYD Europe B.V. makes no representations or warranties express or implied, with respect to this document or any of the equipment and/or software it may describe, including (with no limitation) any implied warranties of utility, merchantability, or fitness for any particular purpose. All such representations or warranties are expressly disclaimed. Neither BYD Europe B.V. nor its distributors or dealers shall be liable for any indirect, incidental, or consequential damages under any circumstances.

The exclusion of implied warranties may not apply in all cases under some statutes, and thus the above exclusion may not apply.

This document does not replace and is not intended to replace any local, state, provincial, federal, or national laws, regulations, or codes applicable to the installation, electrical safety, and use of the battery system. BYD Europe B.V. assumes no responsibility for the compliance or noncompliance with such laws or codes in connection with the installation of the battery system.

Specifications are subject to change without notice. Every effort has been made to make this document complete, accurate, and up-to-date. However, BYD Europe B.V. may need to make some improvements under certain circumstances without advance notice. BYD Europe B.V. shall not be responsible for any loss caused by this document, including, but not limited to, omissions errors, typographical errors, arithmetical errors, or listing errors in this document.

All trademarks are recognized.

### Limited Warranty

You can download the latest Limited Warranty from the Internet at [www.bydbatterybox.com](http://www.bydbatterybox.com).

### BYD Europe B.V.

's-Gravelandseweg 256, 3125 BK, Schiedam, the Netherlands

# Content

Legal Provisions .....	1
1. Information on this Document .....	4
1.1. Validity .....	4
1.2. Target Group .....	4
1.3. Content and Structure of this Document .....	4
1.4. Declaration of Conformity .....	4
1.5. Levels of Warning Messages .....	4
1.6. Symbols in the Document .....	5
1.7. Designation in the Document .....	5
2. Safety .....	6
2.1. Intended Use .....	6
2.2. IMPORTANT SAFETY INSTRUCTIONS .....	6
2.2.1. Battery Module Leakage .....	6
2.2.2. Firefighting Measures .....	6
2.2.3. Battery Modules Handling and Storage Guide .....	7
2.2.4. Warning of Overvoltages .....	7
2.2.5. Caution of Weight .....	8
2.2.6. Notice of Property Damage .....	8
3. Scope of Delivery .....	9
4. Battery System Overview .....	11
4.1. Battery System Description .....	11
4.2. Interface .....	12
4.3. Symbols on the System .....	12
4.4. LED Signals .....	14
5. Installation .....	15
5.1. Requirements for Installation .....	15
5.1.1. Requirements for Installation Location .....	15
5.1.2. Tools .....	15
5.1.3. Safety Gear .....	15
5.1.4. Additionally Required Installation Material .....	16
5.2. Installation .....	16
6. Electrical Connection .....	19

6.1.	Overview of the Connection Area.....	19
6.2.	Connection Diagram .....	19
6.2.1.	One Tower.....	19
6.2.2.	Multiple Towers .....	20
6.3.	Connecting the PE.....	20
6.4.	Data Cable Connection.....	21
6.4.1.	Data Cable Connection between Inverter and BMU.....	21
6.4.2.	Data Cable Connection between BMU and PDU .....	23
6.4.3.	Data Cable Connection between BMU and Router .....	23
6.4.4.	Cover the Terminal Resistor .....	24
6.4.5.	Data Cable Connection between Towers .....	24
6.5.	DC Connection .....	25
7.	Commissioning .....	30
7.1.	Switch on the Battery System .....	30
7.2.	Configure the Battery System .....	31
7.3.	Switch on and Commission the Inverter .....	34
8.	Operation.....	35
8.1.	Switch on the Battery System .....	35
8.2.	Switch off the Battery System .....	36
8.3.	Maximum Current at Different Temperature .....	37
8.4.	Protective Devices .....	37
9.	Decommissioning.....	38
10.	Extension .....	39
11.	Troubleshooting .....	40
11.1.	Battery System Behavior under Fault Conditions.....	40
11.2.	LED Light Designation for Errors .....	40
12.	Maintenance and Storage .....	42
13.	Disposal of the Battery System.....	43
14.	Technical Parameters .....	44
15.	Contact Information .....	45
	Appendix Data Cable Connection Instruction with Inverters.....	46

# 1. Information on this Document

## 1.1. Validity

This document is valid for the Battery-Box Premium LVS Lite 4.0, 8.0, 12.0, 16.0.

## 1.2. Target Group

The instructions in this document may only be performed by qualified persons who must have the following skills:

- Knowledge of how batteries work and are operated
- Knowledge of how an inverter works and is operated
- Knowledge of, and adherence to the locally applicable connection requirements, standards, and directives ( such as AS/NZS 5139:2019)
- Knowledge of, and adherence to this document and the associated system documentation, including all safety instructions
- Training in dealing with the hazards associated with the installation and operation of electrical equipment and batteries
- Training in the installation and commissioning of electrical equipment

Failure to do so will make any manufacturer's warranty, guarantee or liability null, and void unless you can prove that the damage was not due to non-compliance.

## 1.3. Content and Structure of this Document


This document contains safety information and instructions, scope of delivery, battery system overview, installation, electrical connection, commissioning, operation, decommissioning, extension, troubleshooting, maintenance and storage, disposal of the battery system, technical parameters and contact information. Please finish reading this document before taking any actions on the battery system.

## 1.4. Declaration of Conformity

The battery system described in this document complies with the applicable European directives. The certificate is available in the download area at [www.bydbatterybox.com](http://www.bydbatterybox.com).

## 1.5. Levels of Warning Messages

The following levels of warning messages may occur when handling the battery system.

 <b>DANGER</b>
Indicates a hazardous situation which, if not avoided, will result in death or serious injury.
 <b>WARNING</b>
Indicates a hazardous situation which, if not avoided, could result in death or serious injury.

**⚠ CAUTION**

Indicates a hazardous situation which, if not avoided, could result in minor or moderate injury.

**NOTICE**

Indicates a situation which, if not avoided, can result in property damage.

### 1.6. Symbols in the Document

**⚠ QUALIFIED PERSON**

Sections describing activities to be performed by qualified persons only.

### 1.7. Designation in the Document

Designation in this document	Complete designation
Battery System	Battery-Box Premium LVS Lite
BIC	Battery Information Collector
BMS	Battery Management System
BMU	Battery-Box Premium LV BMU(Battery Management Unit )-IP55
BYD	BYD Europe B.V.
PDU	Power Distribute Unit
SOC	State of Charge

## 2. Safety

### 2.1. Intended Use

The battery system is for residential and works with a photovoltaic system. It is a 48V Li-ion battery storage system, with the control module on itself. It could be operated in on-grid mode with compatible inverters.

The battery system could be connected to the Internet through network cable for maintenance and firmware updating.

The battery system must only be used as stationary equipment.

The battery system is suitable for indoor and outdoor use under the conditions mentioned in Section 5.1.

The battery system must only be operated in connection with a compatible inverter. The list (BYD Battery-Box Premium LVS Lite Minimum Configuration List) of these inverters could be found at [www.bydbatterybox.com](http://www.bydbatterybox.com).

The battery system is not suitable for supplying life-sustaining medical devices. Please ensure that no personal injury would lead due to the power outage of the battery system.

Alterations to the battery system, e.g., changes or modifications are not allowed unless the written permission of BYD is achieved. Unauthorized alterations will void the guarantee and warranty claims. BYD shall not be held liable for any damage caused by such changes.

The type label should always be attached to the battery system.

### 2.2. IMPORTANT SAFETY INSTRUCTIONS

The battery system has been designed and tested in accordance with international safety requirements. However, in order to prevent personal injury and property damage and ensure long-term operation of the battery system, please do read this section carefully and observe all safety information at all times.

#### 2.2.1. Battery Module Leakage

If the battery modules leak electrolytes, contact with the leaking liquid or gas should be avoided. The electrolyte is corrosive, and the contact may cause skin irritation and chemical burns. If one is exposed to the leaked substance, do these actions:

**Inhalation:** Evacuate the contaminated area, and seek medical help immediately.

**Eye contact:** Rinse eyes with flowing water for 15 minutes and seek medical help immediately.

**Skin contact:** Wash the affected area thoroughly with soap and water and seek medical help immediately.

**Ingestion:** Induce vomiting and seek medical help immediately.

#### 2.2.2. Firefighting Measures

The battery modules may catch fire when it is put into the fire. In case of a fire, please make sure that an ABC or carbon dioxide extinguisher is nearby. Water cannot be used to extinguish the fire.

Full protective clothing and self-contained breathing apparatus are required for the firefighters to extinguish the fire.

### 2.2.3. Battery Modules Handling and Storage Guide

- The battery modules and its components should be protected from damage when transporting and handling.
- Do not impact, pull, drag, or step on the battery modules.
- Do not insert unrelated objects into any part of the battery modules.
- Do not throw the battery module into a fire.
- Do not soak the battery modules in water or seawater.
- Do not expose to strong oxidizers.
- Do not short circuit the battery modules.
- The battery modules cannot be stored at high temperatures (more than 50° C).
- The battery modules cannot be stored directly under the sun.
- The battery modules cannot be stored in a high humidity environment.
- Do not use the battery modules if it is defective, or appears cracked, broken or otherwise damaged, or fails to operate.
- Do not attempt to open, disassemble, repair, tamper with, or modify the battery modules. The battery modules are not user-serviceable.
- Do not use cleaning solvents to clean the battery modules.

### 2.2.4. Warning of Overvoltages

#### DANGER

##### **Danger to life due to electric shock in case of overvoltages and if surge protection is missing**

Overvoltages (e. g. in the event of a flash of lightning) can be further conducted into the building and to other connected devices in the same network via the network cables or other data cables if there is no surge protection. Touching live parts and cables results in death or lethal injuries due to electric shock.

- Ensure that all devices in the same network and the inverter are integrated into the existing surge protection.
- When laying the network cables or other data cables outdoors, it must be ensured that a suitable surge protection device is provided at the transition point of the cable from the VUHYfmsystem or the inverter outdoors to the inside of a building.



## 2.2.5. Caution of Weight

### CAUTION

#### **Risk of injury due to weight of the battery module**

Injuries may result if the battery module is lifted incorrectly or dropped while being transported or installed.

- Transport and lift the battery module carefully. Take the weight of the battery module into account.
- Wear suitable personal protective equipment for all work on the battery system.

## 2.2.6. Notice of Property Damage

### NOTICE

#### **Damage to the PDU due to sand, dust and moisture ingress**

Sand, dust and moisture penetration can damage the PDU and impair its functionality.

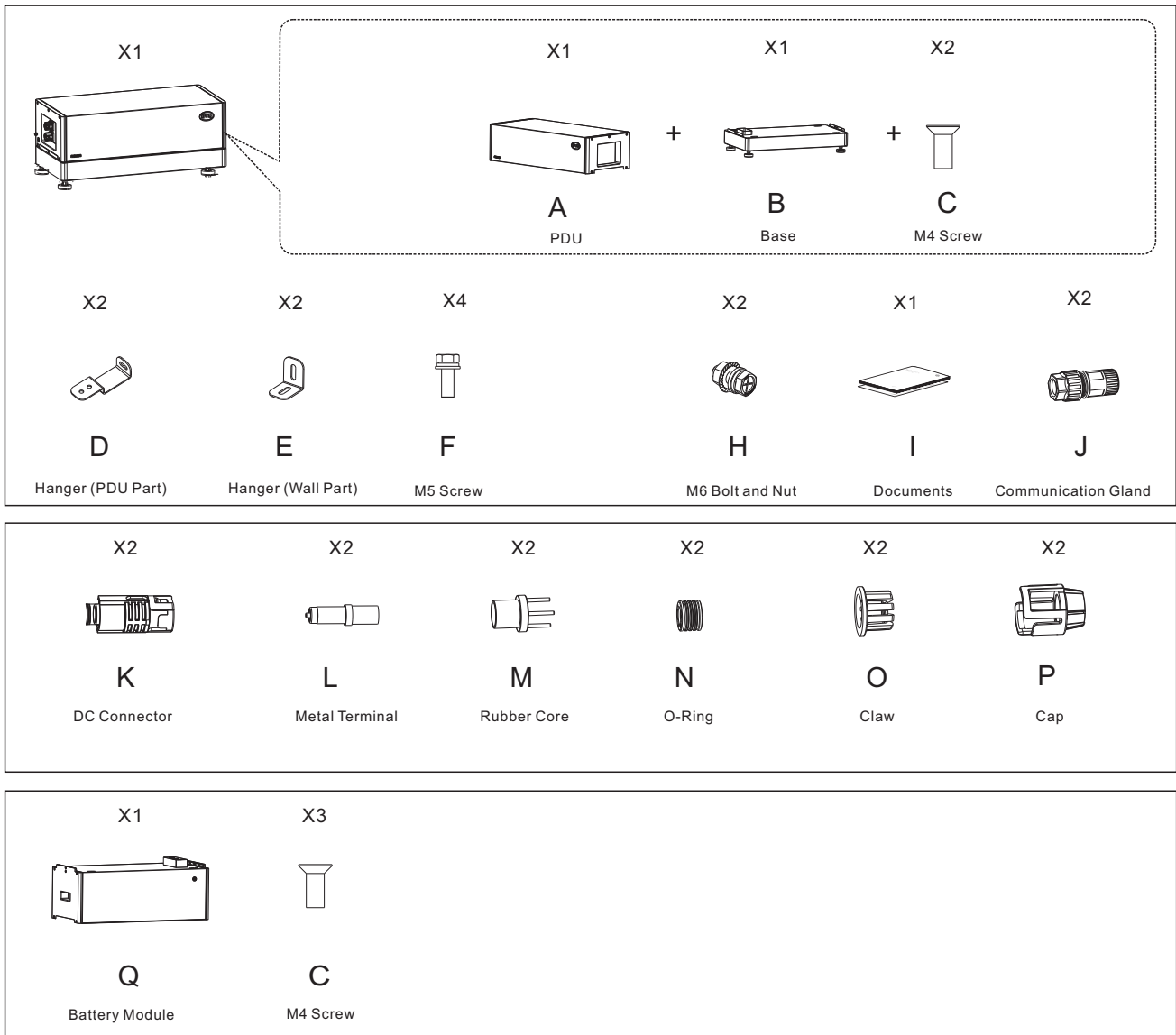
- Only open the PDU if the humidity is within the thresholds and the environment is free of sand and dust.

### NOTICE

#### **Damage to the battery system due to under voltages**

- If the battery system doesn't start at all, please contact BYD local after-sales service within 48 hours. Otherwise, the battery could be permanently damaged.

### 3. Scope of Delivery



A	PDU
B	Battery module
C	M4 Screw
D	Hanger (PDU part)
E	Hanger (Wall part)
F	M5 Screw
H	M6 Screw Bolt and Nut
I	Documents
J	Communication Gland
K	DC connector

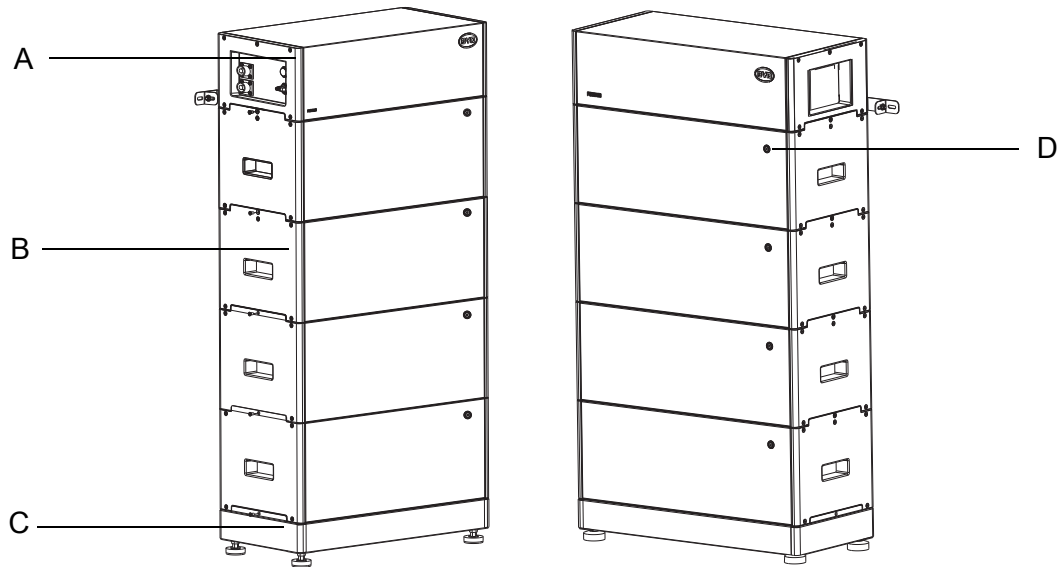
L	Metal Terminal
M	Rubber Core
N	O-ring
O	Claw
P	Cap
Q	Battery Module

## 4. Battery System Overview

### 4.1. Battery System Description

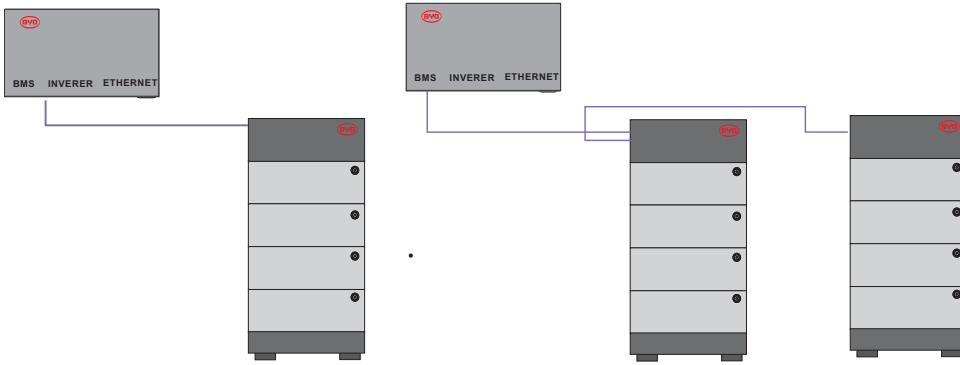
The Battery-Box Premium LVS Lite is used as a connected battery for the intermediate storage of excess PV energy in an cb! [ f]X inverter system.

It works together with Battery-Box Premium LV BMU-IP55 (BMU). The parameters and instruction of BMU could be read on our websites. The battery system could support the backup function of inverters and is compatible with both 1 and 3 phase inverters.



A	PDU
B	Battery module
C	Base
D	Button with LED

One tower could be made up by one to four battery modules, and up to two towers could be connected in parallel.



## 4.2. Interface

### WLAN

BMU is equipped with a WLAN interface as a standard.

### Be Connect

Be Connect is an app for Android and iOS system devices. You can download it from Google Play or App Store. Search Be Connect or scan the QR code on this document cover.

With Be Connect, you can update the firmware, configure and read the information of the battery system.

### Be Connect Plus



Be Connect Plus is a PC app. You can download from our website (<https://www.bydbatterybox.com/downloads>).

With Be Connect, you can configure and diagnose the battery system, read the general battery information, update the firmware, etc.

### Be Connect Monitoring

BMU is equipped with an Ethernet interface as a standard. When your battery system accesses the Internet, it will join our Be Connect Monitoring, which is a platform for BYD to provide remote service to customers. It can diagnose your battery system, and update the firmware. It is highly recommended you to access your system to the Internet.

## 4.3. Symbols on the System

Symbol	Explanation
	Observe the documents Observe all documents supplied with the system.
	Grounding conductor This symbol indicates the position for connecting a grounding conductor.



WEEE designation

Do not dispose of the system together with the household waste but in accordance with the disposal regulations for electronic waste applicable at the installation site.

---



CE marking

The system complies with the requirements of the applicable EU directives.

---



This side up.

---



Handle with care.

---



Keep dry.

---



Keep the battery modules away from open flame or ignition sources.

---



Beware of electrical voltage.

---



Beware of a danger zone

This symbol indicates that the system must be additionally grounded if additional grounding or equipotential bonding is required at the installation site.

---



Keep the battery modules away from children.

---



RCM (Regulatory Compliance Mark), a brief guide to Electrical equipment approvals in Australia

---



Do not short circuit.

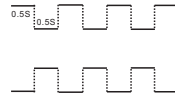
---

## 4.4. LED Signals

Flashing white and blue alternatively

White  ON  
OFF

Blue  ON  
OFF



The battery system is initiating.

Glowing white

White  ON  
OFF

Blue  ON  
OFF

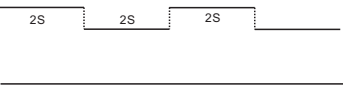


Idle (the battery system is neither charging nor discharging).

Flashing white slowly

White  ON  
OFF

Blue  ON  
OFF

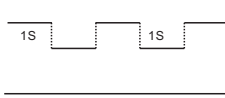


The battery system is charging.

Flashing white quickly

White  ON  
OFF

Blue  ON  
OFF

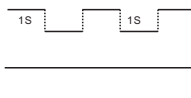


The battery system is discharging.

Flashing white and glowing blue

White  ON  
OFF

Blue  ON  
OFF

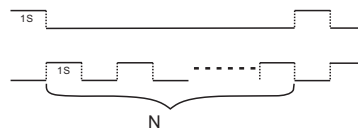


The battery system is discharging, and the SOC is below 15%.

Flashing white and blue

White  ON  
OFF

Blue  ON  
OFF



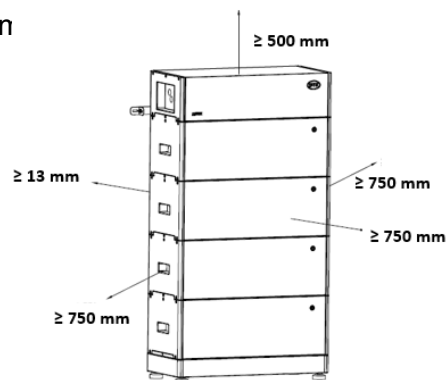
An error has occurred.

## 5. Installation

### 5.1. Requirements for Installation

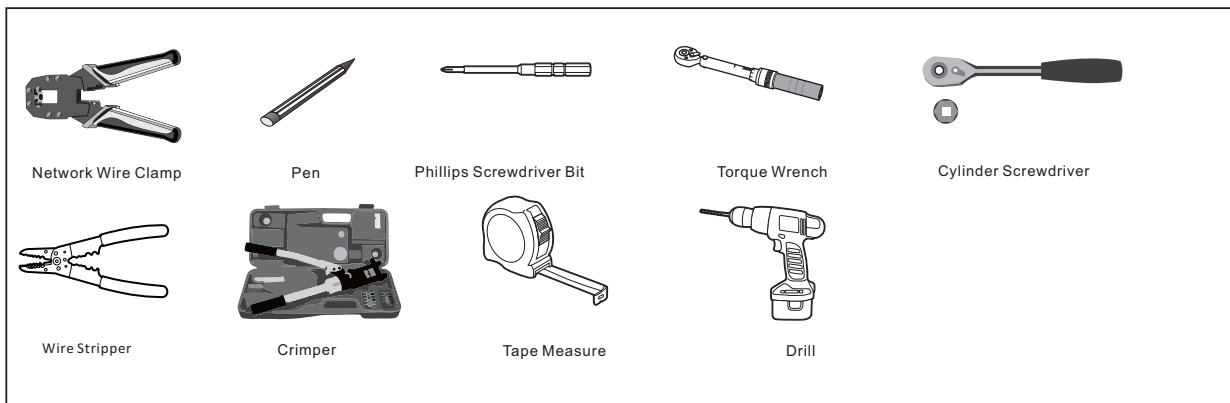
#### 5.1.1. Requirements for Installation Location

- A solid support surface must be available (e.g., concrete or masonry).
- The installation location must be inaccessible to children.
- The installation location must be suitable for the weight and dimensions of the battery system.
- The installation location must not be exposed to direct solar irradiation.
- The installation location must not be close to the fire.
- The altitude of the installation location should be less than 3000m
- The ambient temperature should be between  $-10^{\circ}\text{C}$  and  $+50^{\circ}\text{C}$ .
- The ambient humidity should be between 5-95%.
- The minimum clearance of the battery system is 500 mm in the front, 13 mm behind it, 750 mm at the left and right sides, and 500 mm at top.



#### 5.1.2. Tools

The tools in the following table could be needed during the installation.



#### 5.1.3. Safety Gear

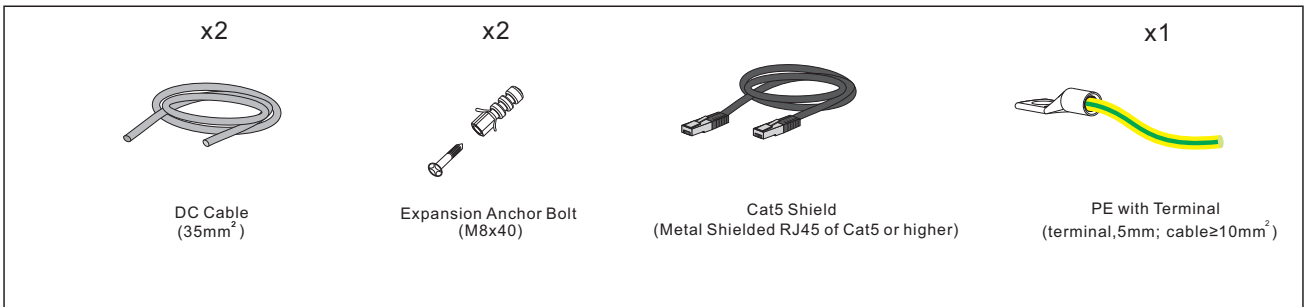
Wear the following safety gear when dealing with the battery system.



Safety shoes



### 5.1.4. Additionally Required Installation Material



### 5.2. Installation

**⚠ QUALIFIED PERSON**

**⚠ CAUTION**

**Risk of injury due to weight of the battery module**

Injuries may result if the battery module is lifted incorrectly or dropped while being transported or installed.

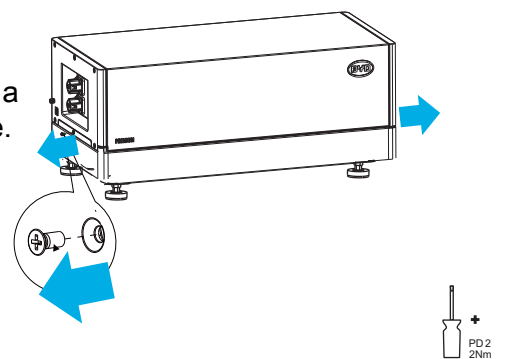
- Transport and lift the battery module carefully. Take the weight of the battery module into account.
- Wear suitable personal protective equipment for all work on the battery system.

**Additionally required installation material (not included in the scope of delivery):**

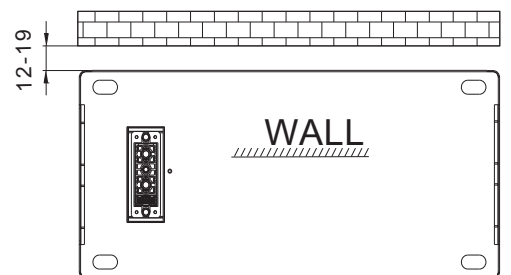
1. Two screws suitable for the support surface (diameter: 8 mm)
2. Where necessary, two screw anchors suitable for the support surface and the screws.

**Procedure:**

1. Take the PDU and base from the package out.
2. Remove the screws between the PDU and the base out by a Phillips screwdriver (PH2), and take the PDU from the base.



3. Put the installed base and feet along the wall, and keep the distance of 12~19 mm between the wall and the base.



mm

4. Take a battery module from the package out. Put one battery module on the base. Pay attention to the direction of the module to make sure that the blind-mating connectors of the module and the base are at the same side.

5. Repeat the operations for other battery modules.

6. Install the hanger (PDU part) to the PDU. To do this, insert the screws (M5x14) through the hole on the PDU using a cylinder screwdriver (8 mm) and tighten them (torque: 5.5 Nm).

7. Put the PDU on top of the battery modules.

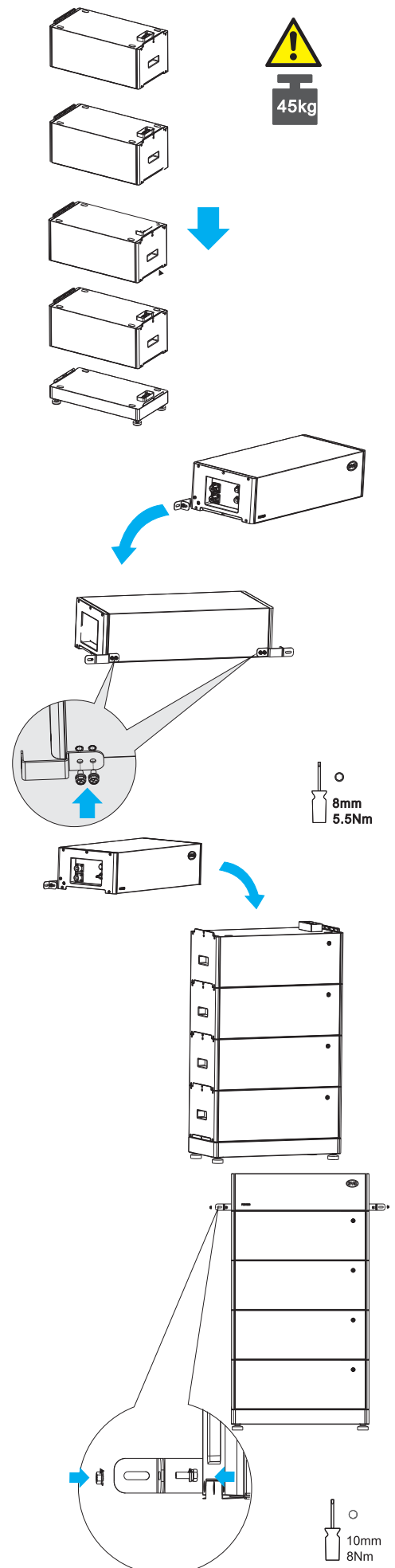
8. Fix the connection between the battery module and the base, between battery modules, and between PDU and battery module. To do this, insert the screws (M4x14) through the holes on them, using a Phillips screwdriver (PH2) and tighten them (torque: 2 Nm).

9. Hold the hanger (wall part) where it intends to be mounted on the wall and mark the position of the drill holes. Please pay attention that there may be power cables or other supply lines (e.g., gas or water) routed inside of the wall. Ensure that no lines are laid in the wall, which could be damaged when drilling holes.

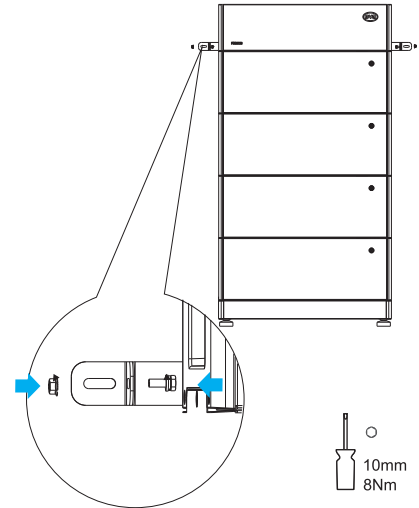
10. Set the hanger aside and drill the marked holes.

11. Insert screw anchors into the drill holes if the support surface requires them.

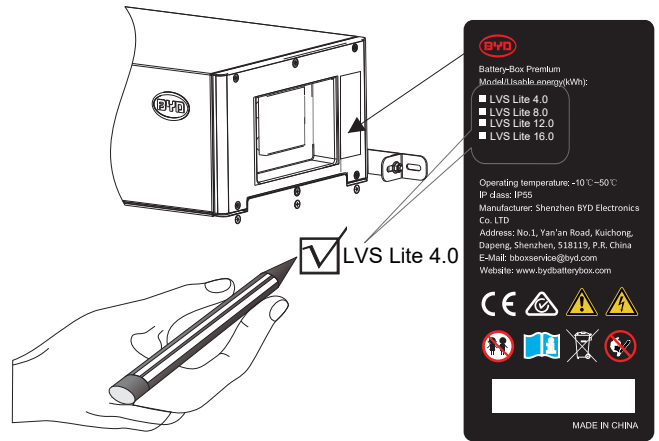
12. Secure the hanger using screws (recommended M8x40).



13. Fix the two hangers (wall part and PDU part) with M6X16 bolts and nuts, using a cylinder screwdriver (10 mm) to tighten it (torque: 8 Nm).

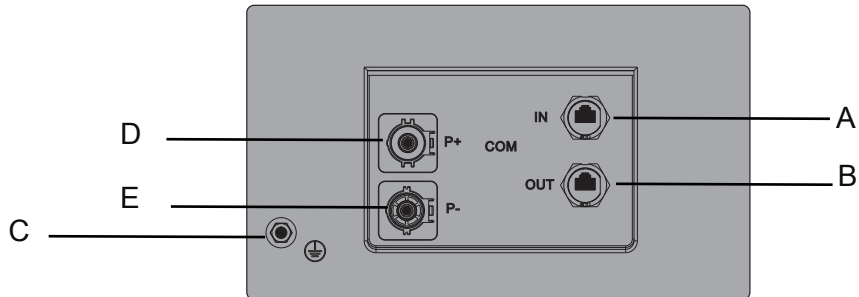


14. Mark the product type.



## 6. Electrical Connection

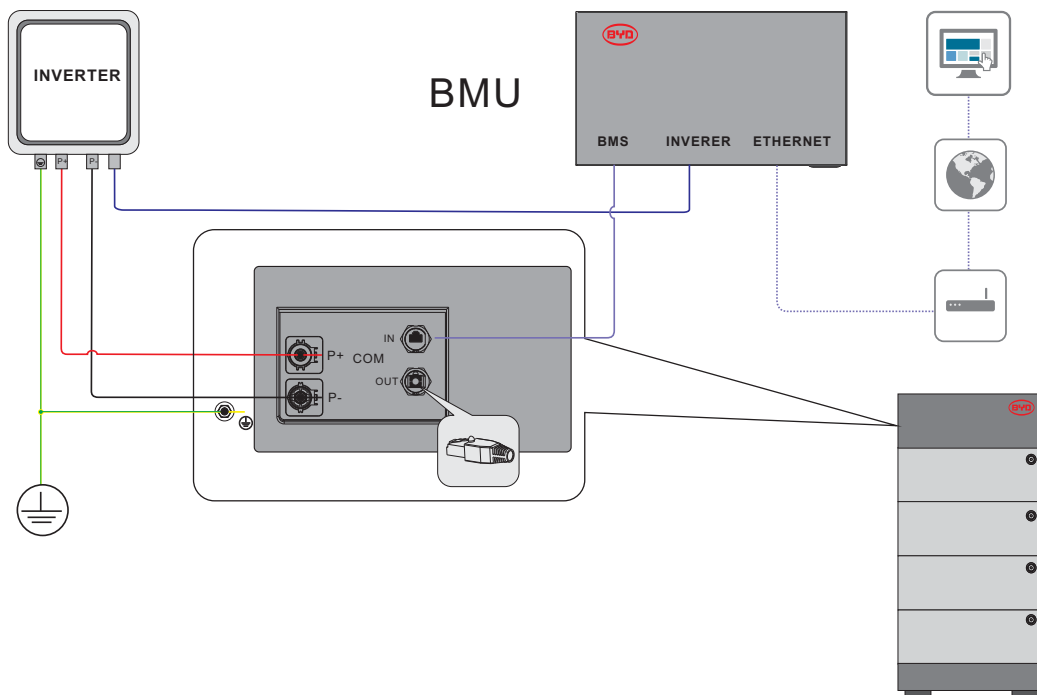
### 6.1. Overview of the Connection Area



A	IN	Gland for data cable in
B	OUT	Gland for data cable out/terminal resistor
C	PE	Grounding point
D	P+	Gland for DC+ (P+)
E	P-	Gland for DC- (P-)

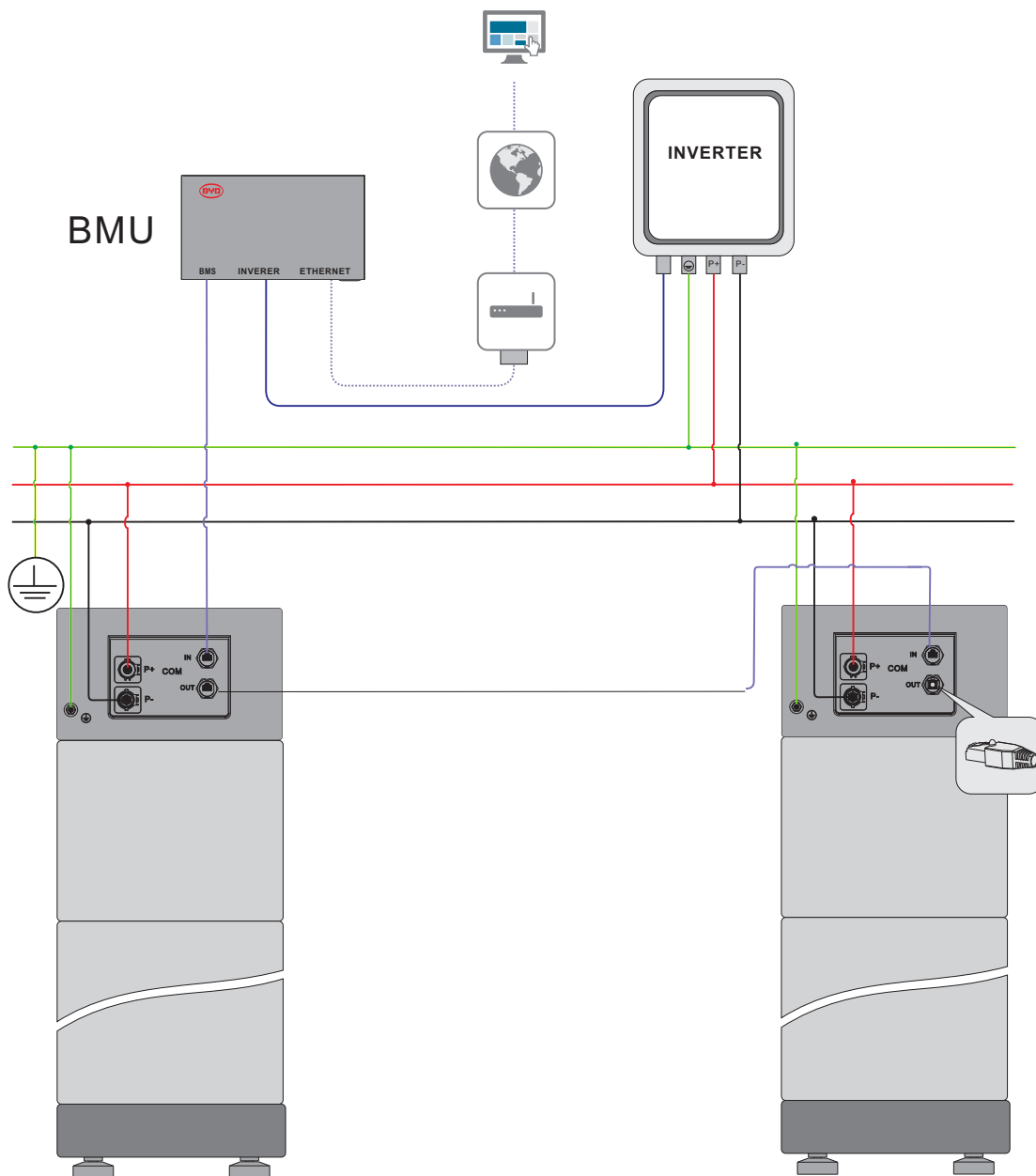
### 6.2. Connection Diagram

#### 6.2.1. One Tower



The connection to Ethernet cable is recommended, not compulsory.

## 6.2.2. Two Towers



## 6.3. Connecting the PE

**⚠ QUALIFIED PERSON**

Additionally required mounting material (not included in the scope of delivery):

PE with Terminal

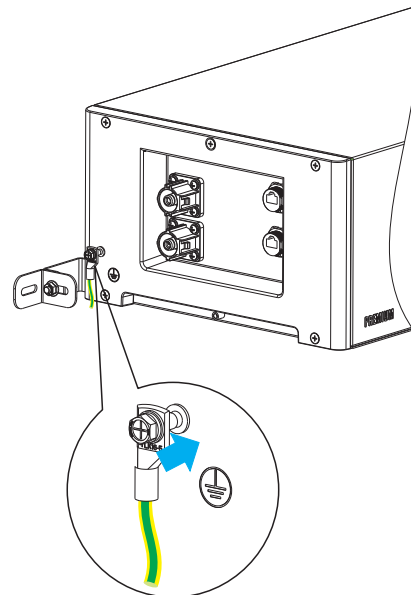
**PE and Terminal Requirement**

- Terminal, 5mm.
- Minimum terminal cross-section: 10 mm<sup>2</sup>

- c) The cross-section of the grounding terminal must comply with the locally applicable standards and directives
- d) PE cross-section  $\geq 10 \text{ mm}^2$
- e) PE material: Copper wire

**Procedure:**

1. Take out the grounding screw, and get the PE conductor through it.
2. Fix them together, with a cylinder screwdriver 8 mm, and tighten it (torque, 4 Nm).



## 6.4. Data Cable Connection

**⚠ QUALIFIED PERSON**

### 6.4.1. Data Cable Connection between Inverter and BMU

Additionally required mounting material (not included in the scope of delivery):

One data cable

**Data cable requirements:**

The cable length and quality affect the quality of the signal. Observe the following cable requirements.

- Cable category: Cat5, Cat5e or higher
- Plug type: Metal Shielded RJ45 of Cat5, Cat5e or higher
- Shielding: Yes
- UV-resistant for outdoor use
- Straight- through wired cables

Maximum cable length: 10 m.

**Procedure:**

1. Read the designation of the INVERTER port on BMU and the inverter manual, and decide whether to modify the data cable.

The designation of INVERTER port on BMU could be read below.

No.	Assignment
1	485-A
2	485-B
3	Unused
4	CAN H
5	CAN L
6	Unused
7	Unused
8	Unused

Our compatible inverters' communication ports with BMU designation could be read below.

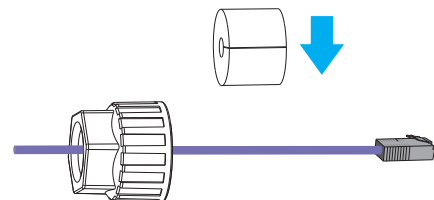
	BMU	GOODWE	SUMGROW	SOLIS
CAN H	4	4	4	4
CAN L	5	5	5	5

The detailed connection instruction with different inverters could be read in the Appendix.

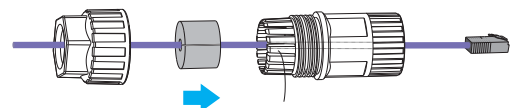
Note: the information here is just for reference. If it is contrary to the inverter manufacturer's manual, take the later one into account.

If the data cable has to be modified, please cut the cable, arrange the wire positions, and crimp the RJ45 connector with a network wire clamp.

2. Take off the gland at the INVERTER port of BMU, and get the cover and support sleeve through the data cable.



3. Get the main part of the gland through the cable.
4. Plug the RJ45 connector to the BMU INVERTER port.



5. Tighten the gland.
6. Plug the RJ45 connector to the corresponding port at the inverter.

### 6.4.2. Data Cable Connection between BMU and PDU

**Additionally required mounting material (not included in the scope of delivery):**

One data cable

**Data cable requirements:**

The cable length and quality affect the quality of the signal. Observe the following cable requirements.

- Cable category: Cat5, Cat5e or higher
- Plug type: Metal Shielded RJ45 of Cat5, Cat5e or higher
- Shielding: Yes
- UV-resistant for outdoor use
- Straight- through wired cables
- Maximum cable length: 10 m.

**Procedure:**

1. Take the gland from the accessories.
2. Take off the cover and support sleeve of the gland, and get the cover, support sleeve, main part of the gland through the data cable.
3. Plug the RJ45 connector to the IN port of PDU.
4. Tighten the gland.
5. Plug the other side of RJ45 connector to the BMS port of BMU. Refer the procedure of Point 2 to 4 of Section 6.4.1

### 6.4.3. Data Cable Connection between BMU and Router

**Additionally required mounting material (not included in the scope of delivery):**

One data cable

**Data cable requirements:**

The cable length and quality affect the quality of the signal. Observe the following cable requirements.

- Cable category: Cat5, Cat5e or higher
- Plug type: Metal Shielded RJ45 of Cat5, Cat5e or higher



- Shielding: Yes
- UV-resistant for outdoor use
- Straight- through wired cables
- Maximum cable length: 10 m.

**Procedure:**

1. Plug the RJ45 connector to the Ethernet port of BMU. Refer to the procedure of Point 2 to 4 of Section 6.4.1
2. Plug the RJ45 connector at the other side of the cable to a router port.

**Note:** Connecting to the Internet is not compulsory but highly recommended. During the configuration by the Be Connected, temporarily disconnect the connection with the router will benefit the connection between Be Connect and the battery system.

#### **6.4.4. Cover the Terminal Resistor**

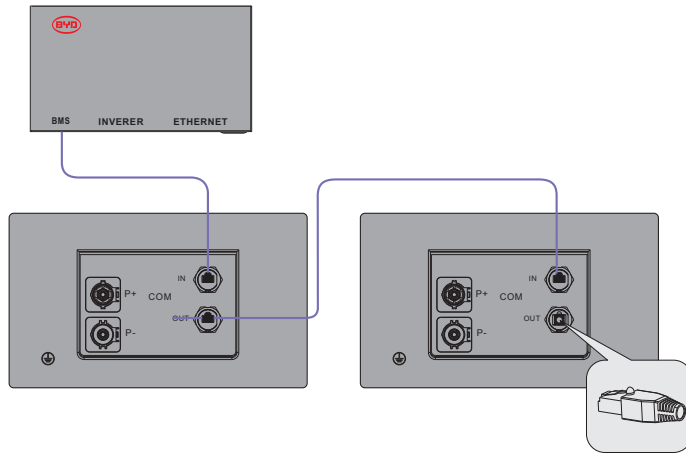
**Procedure:**

1. Take the gland from the accessories.
2. Cover the terminal resistor with the gland, and tighten it.

#### **6.4.5. Data Cable Connection between Towers**

This is only applicable when two towers to be connected in parallel.

The connection diagram could be read below.



### Data cable requirements:

The cable length and quality affect the quality of the signal. Observe the following cable requirements.

- Cable category: Cat5, Cat5e or higher
- Plug type: Metal shielded RJ45 of Cat5, Cat5e or higher
- Shielding: Yes
- UV-resistant for outdoor use
- Straight- through wired cables
- Maximum cable length between two towers: 10 m.

### Procedure:

1. Remove the terminal resistor from the OUT port of the first tower.
2. Take two glands from the accessories.
3. Take off the covers and supports sleeve of the gland, and get the covers, supports sleeve and the main part of the gland through the data cable.
6. Plug the RJ45 connector to the OUT port of the PDU at the first tower, and to the IN port of the PDU at the second tower.
4. Tighten the gland.
5. Repeat Step 2 and 3 for the rest tower.
6. Cover the terminal resistor on the PDU of the second tower, referring to 6.4.4 in this manual.

## 6.5. DC Connection

### ⚠ QUALIFIED PERSON

When two towers are connected, the positive power cable length for the towers should be approximately equal, and so are the negative power cables. A junction box is needed to combine these cables. Please follow the local, state, provincial, federal, or national laws, regulations, and instructions from the inverter manufacturer to choose the right junction box.

**Additionally required mounting material (not included in the scope of delivery):**

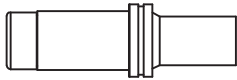

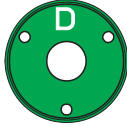
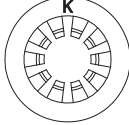


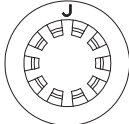
Two DC power cables

**Cable requirements:**

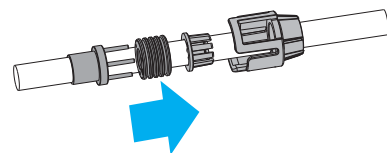
- Conductor cross-section: 35mm<sup>2</sup> .
- Maximum cable length: 10 m

**Procedure**

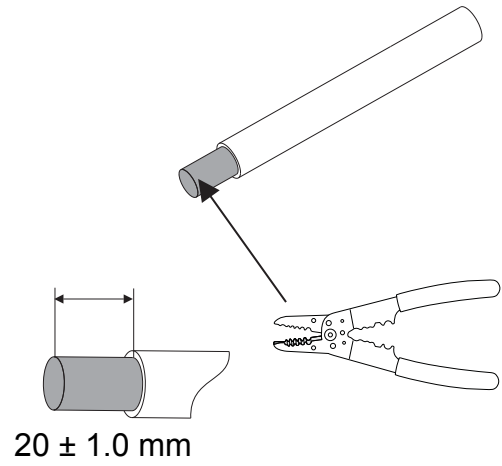
1. Follow the table below to choose the connector type and parts. Please pay attentions to the small letters on the O-ring and claw. The black terminal is for the negative connector, and the orange one is for the positive connector.

Metal Terminal ( L )	DC Power Cable ( R )	O -ring ( N )	Claw(O)
 <p>35mm<sup>2</sup></p>	 <p>10.2±0.3 mm</p>		
	 <p>13.1±0.3 mm</p>		

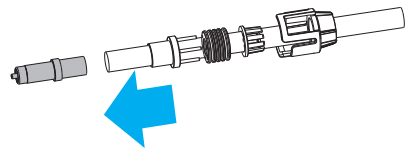
2. Install rubber core, O-Ring and cap in sequence on the DC cable.



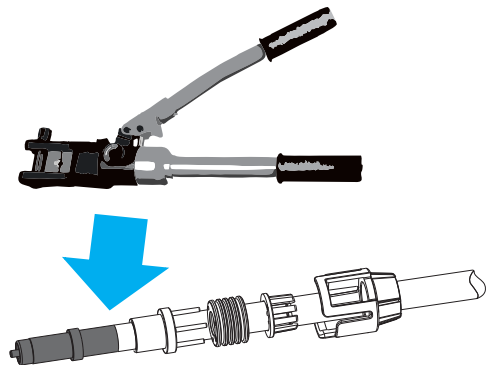
- Strip the PE insulation sleeve up to  $20 \pm 1.0$  mm



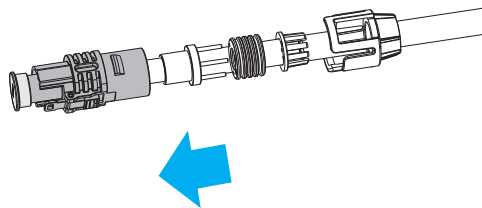
- Plug the DC terminal into the stripped part of the cable.



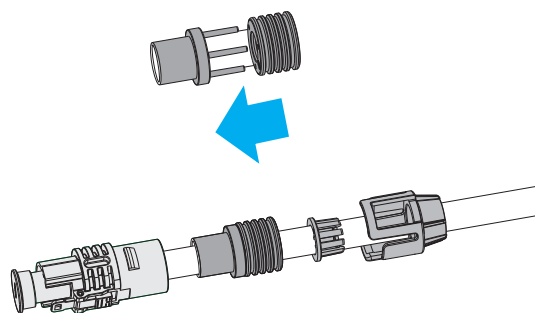
- Clamp the metal terminal with a clammer. Before that, please make sure the correct dies are chosen.



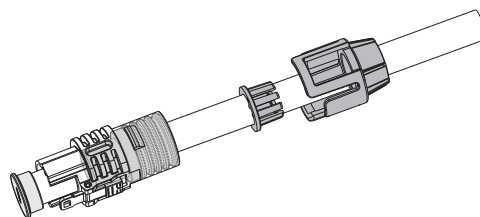
6. Plug the metal terminal into the connector.



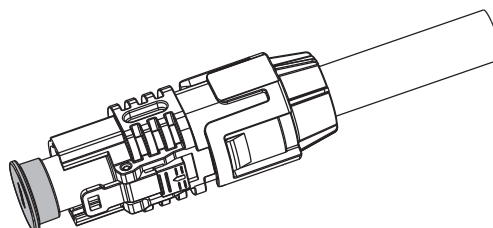
7. Plug the branches of the rubber core to the holes of O-ring.



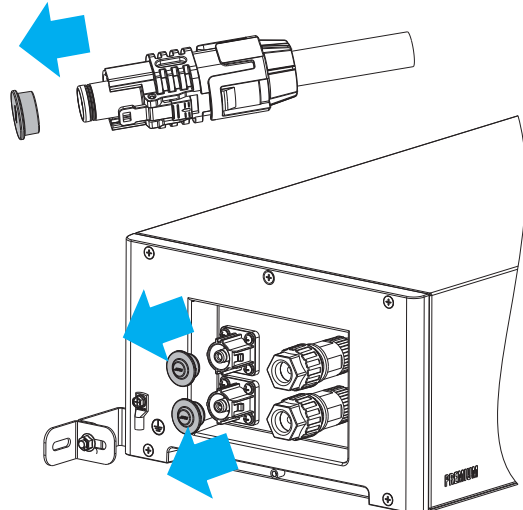
8. Push the integrated part rubber core and O-ring into the connector, and make sure that the O-ring is totally inside of the connector.



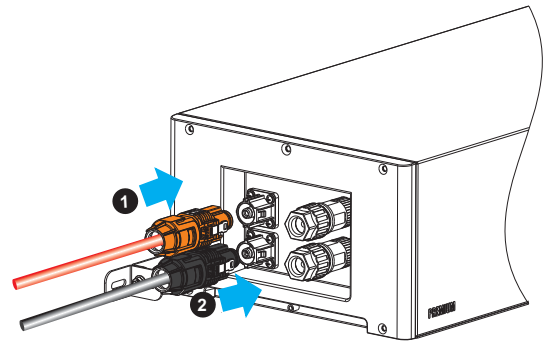
9. Push the cap to make sure the cap and the connector clutched well.



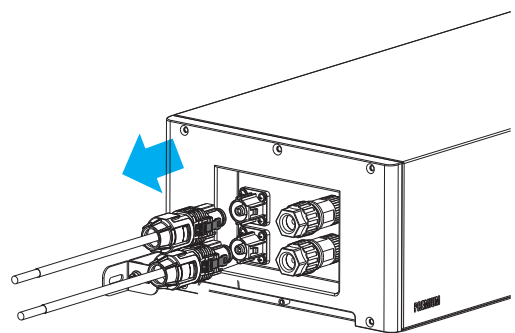
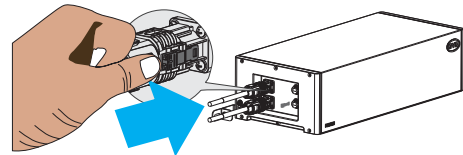
10. Remove the protective covers on the connectors and the PDU.



11. Plug the cables into the PDU. The other side of the cables should be well protected if it is not installed at this step.



12. When you want to unplug the connectors, press the lock on it, push the lock forward a little bit, and then pull it out.



## 7. Commissioning

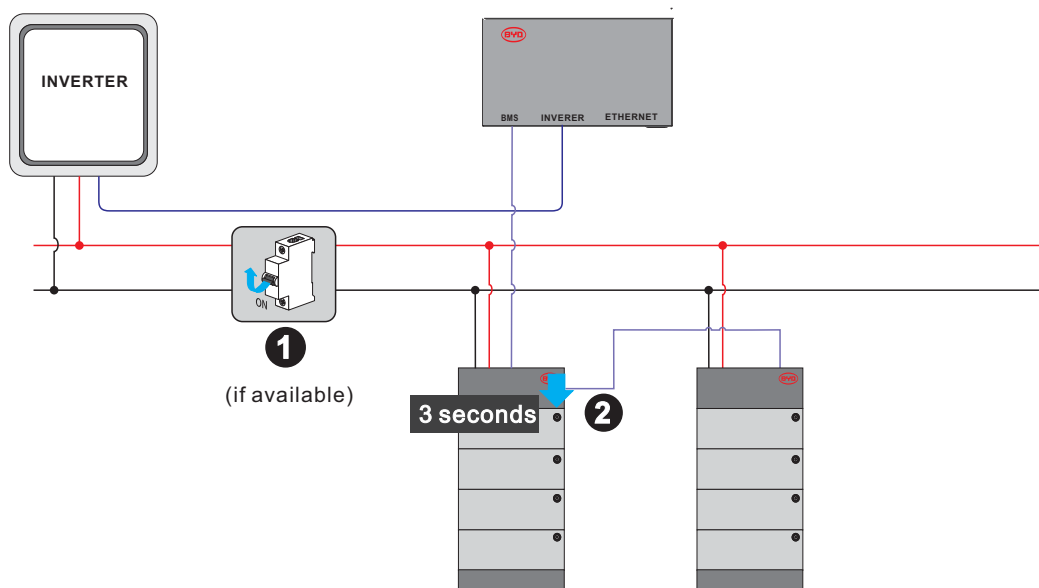
### 7.1. Switch on the Battery System

#### ⚠ QUALIFIED PERSON

#### Requirements:

- The power cable connection between the battery system and the inverter is switched off.
- The inverter must be correctly mounted.
- All cables must be correctly connected.

#### Procedure:



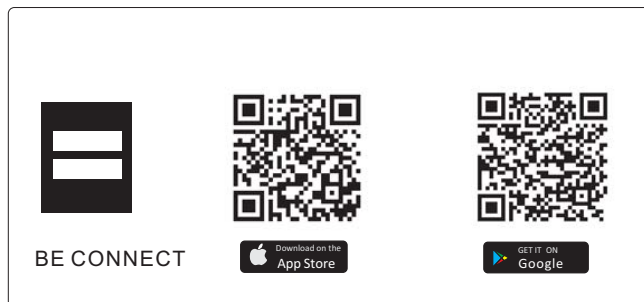
1. Switch on the air switch between the battery and inverter if there is any.
2. Press the LED button on the of the top battery module of the first tower. The LED starts to flash 0.5s white and 0.5s blue alternatively. On the condition that the BMU is well connected, it will change to solid white or blinking white later. For other cases, please refer to Chapter 11.

## 7.2. Configure the Battery System

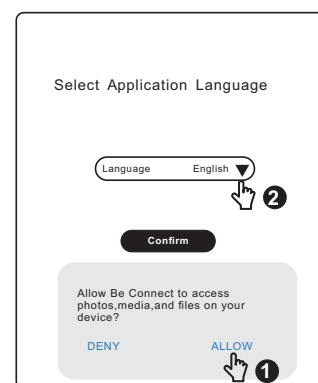
### **⚠ QUALIFIED PERSON**

#### Procedure:

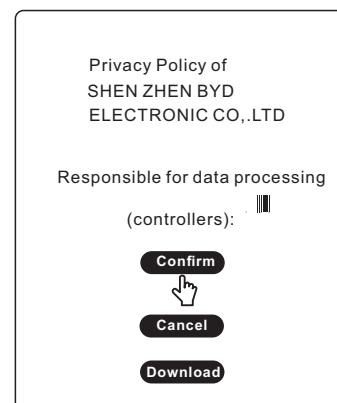
1. Download Be Connect from Google Play or App Store. The battery system requires the latest version firmware to operate. So please make sure you either have downloaded the latest firmware in your device (cell phone, Ipad, etc.), or your device could access the Internet during configuration.



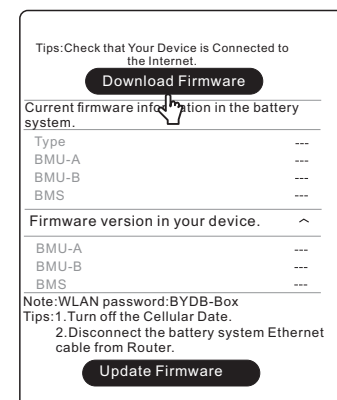
2. Allow Be Connect to access photos, media, and files on your device (this is for Android system), and choose the language. Currently, there are six languages available, English, Chinese, German, Spanish, French, and Italian.



3. Click anywhere of the Welcome Page to continue.
4. Read the privacy policy and click the Confirm button to go to the next page. You can also download the full PDF document by clicking the Download button, which requires the Internet available on your device.



5. On the firmware update page, click the Download Firmware button to download the latest version firmware into your device. If your device cannot access the Internet, you can use the firmware stored in your device.

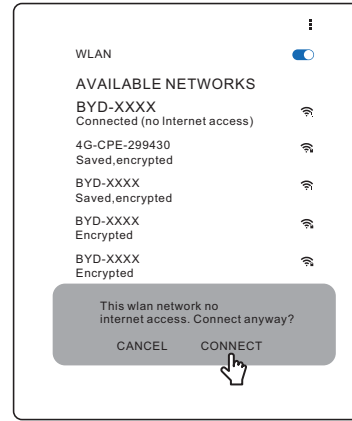




6. Connect the WLAN of the battery system.

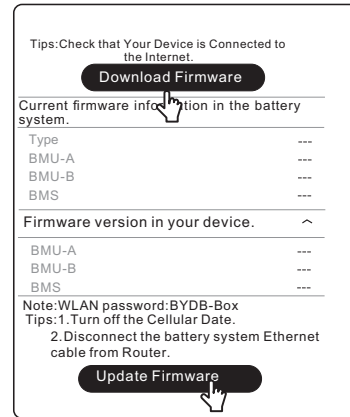
The name of the WLAN is printed on the BMU.

All the WLAN shares the common password (BYDB-Box). Turning off the Cellular Data and disconnecting the battery system Ethernet cable at the router side will be good for the WLAN connection between the battery system and your device.

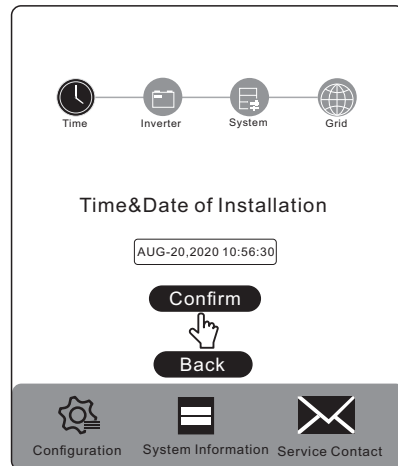


7. Click the Update Firmware button to update.

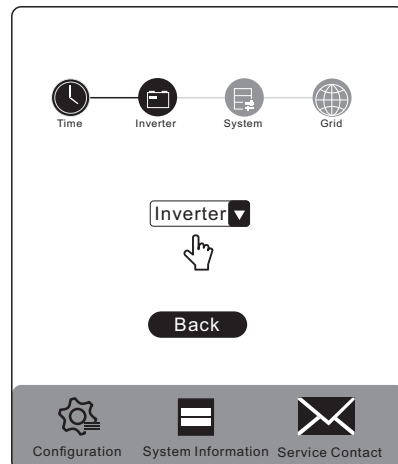
If the firmware in your device is a lower version than the one in the system, this step cannot move forward.



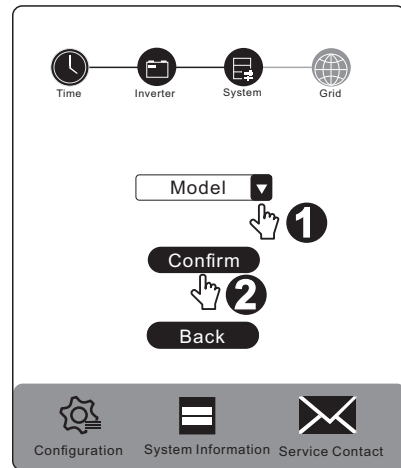
8. On the configuration page, click Confirm to set time.



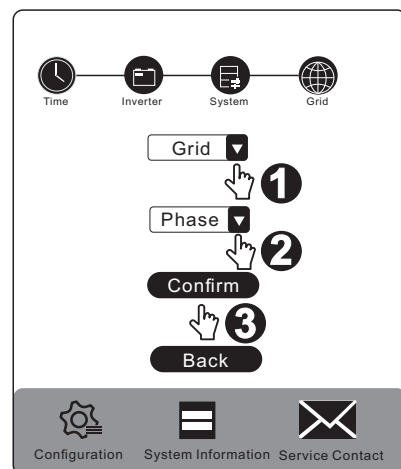
9. Choose an inverter brand.



10. Choose the battery system model, LVS Lite. And then set how many battery modules are installed overall.



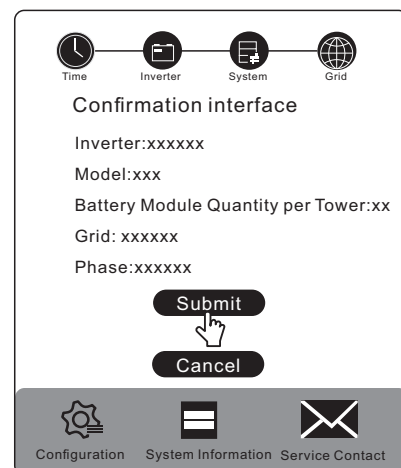
11. Choose the Grid and Phase options according to the actual application.



12. Check the summary of the configuration information, tick the sentence, and click Submit.

If there is a prompt or Submit button is grey, wait a moment and check the WLAN connection.

There will be a prompt "Succeeded" when the configuration is completed.



Restart the Be Connect if it was stuck somewhere.

Please note that the SOC of the battery may not be accurate before a full charge or discharge after the configuration.

### 7.3. Switch on and Commission the Inverter

#### QUALIFIED PERSON

##### Procedure:

1. Mount and connect the inverter according to the inverter manufacturer`s instruction.
2. Commission and configure the inverter according to the inverter manufacturer`s instruction.

If the battery information could be read correctly, it means the connection between the battery system and the inverter is all right. Normally, the LED of the BMU will also turn to white then, and the battery system is ready to work.

If LED of BMU still flashes blue, and/or there are some battery errors shown at the inverter, go to the Chapter 11 of this manual.

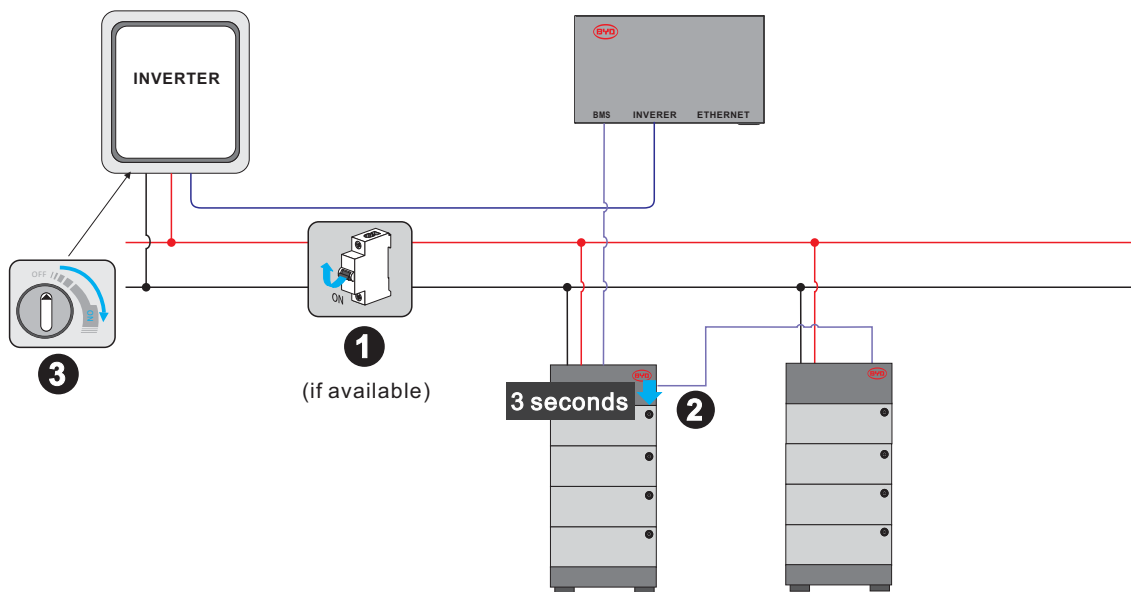
## 8. Operation

### 8.1. Switch on the Battery System

To make sure the battery system can work well with the inverter, please follow the right procedure to start them.

The procedure is:

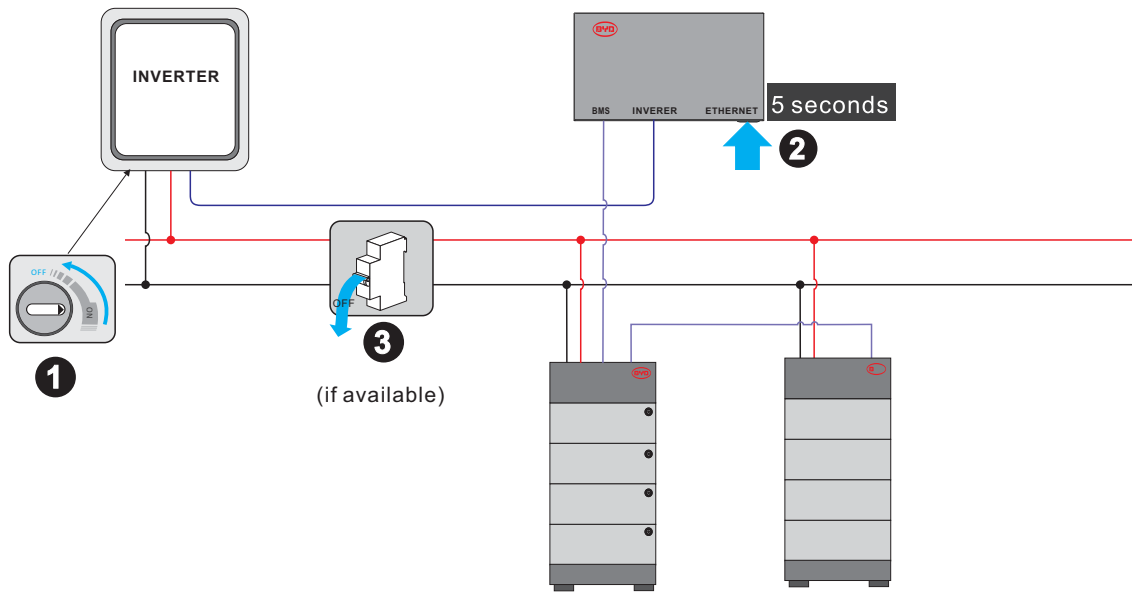
- 1) turn on the switch between the inverter and battery if there is any;
- 2) switch on the battery system;
- 3) switch on the inverter.



## 8.2. Switch off the Battery System

The procedure to switch off the battery system is: 1) switch off the inverter; 2) switch off the battery; 3) switch off the air switch between the battery and the inverter if there is any.

The way to switch off the battery system is to press the LED Button on the BMU for 5 seconds.



### 8.3. Maximum Current at Different Temperature

Temperature	Maximum charge current	Maximum discharge current	Remarks
$-10^{\circ}\text{C} \leq T < 0^{\circ}\text{C}$	20A	20A	*N of the modules
$0^{\circ}\text{C} \leq T < 5^{\circ}\text{C}$	20A	65A	*N of the modules
$5^{\circ}\text{C} \leq T < 50^{\circ}\text{C}$	65A	65A	*N of the modules, up to 250A per tower

### 8.4. Protective Devices

The battery system could protect itself (switch off) if the Battery-Box Premium LVS Lite Minimum Configuration List is not complied.

If external protective devices are needed, please follow the local, state, provincial, federal, or national laws, regulations, and instructions from the inverter manufacturer.

## 9. Decommissioning

**⚠ QUALIFIED PERSON**

### **⚠ CAUTION**

#### **Risk of injury due to weight of the battery module**

Injuries may result if the battery module is lifted incorrectly or dropped while being transported or installed.

- Transport and lift the battery module carefully. Take the weight of the battery module into account.
- Wear suitable personal protective equipment for all work on the battery system.

#### **Procedure:**

1. Shut off the inverter.
2. Switch off the battery system.
3. Switch off the breaker between the inverter and the battery system if there is any.
4. Disconnect the DC cables between inverter and the battery system, PE, and data cable among battery system, inverter, BMU and router (if applicable).
5. Loosen the screws on hangers between PDU and the wall. And then take off the hangers.
6. Loose the screws between PDU and battery modules, and between battery modules and the base.
7. Take the PDU from battery modules and battery modules from the base.

Before lifting the battery module, ensure that the screws on both sides of them are removed.

8. Remove the hangers (PDU part) from PDU.

If the battery system is to be stored or shipped, pack the system. Use the original packaging or packaging that is suitable for the weight and dimensions of the system.

Dispose of the battery system in accordance with the locally applicable disposal regulations for electronic waste.

## 10. Extension

The battery system could be extended at any time. The original SOC of the new battery module is around 30%.

### **Procedure:**

1. Shut off the inverter.
2. Switch off the battery system.
3. Switch off the breaker between the inverter and the battery system if there is any.
4. Take the PDU off.
5. Add the new module on top of other battery modules.
6. Put PDU back on top of the new battery module.
7. Switch on the breaker between the inverter and the battery system if there is any.
8. Switch on and configure the battery system.
9. Start the inverter.



# 11. Troubleshooting

## 11.1. Battery System Behavior under Fault Conditions

### Blue light flashing

If blue LED flashes, and the interval time between two flashes is 1 second, which means an error happened. (When the system is initiating, the white light and blue light flash alternatively every 0.5s. That is not an error.)

The detailed designation for errors of each LED lights could be read in 11.2 and 11.3.

Except the LED light, we can also get the faulty messages of the battery through the remote server and Be Connect Plus. Information read through that could help a lot to identify the issues. So highly recommend to connect the battery system to the Internet or download and use Be Connect Plus.

### WLAN is not available

Contact with BYD local after-sales service.

### The battery system is not able to be turned on.

Check the system has been constructed according to the Battery-Box Premium Compatible Inverter List. If the problem still cannot be solved, contact with BYD local after-sales service within 48 hours.

#### NOTICE

##### Damage to the battery system due to under voltages

- If the battery system doesn't start at all, please contact BYD local after-sales service within 48 hours. Otherwise, the battery could be permanently damaged.

### The battery system cannot be turned off.

Contact with BYD local after-sales service.

### BMU cannot be powered on.

Contact with BYD local after-sales service.

## 11.2. LED Light Designation for Errors

### LED light on BMU

Blue LED is flashing for one time.	System initiating failed
Blue LED is flashing two times.	Address distribution failed
Blue LED is flashing three times.	Precharge failed
Blue LED is flashing for four times.	BMS failure
Blue LED is flashing five times.	BMS and BMU communication failed
Blue LED is flashing six times.	Communication with an inverter failed

## LED light on battery

Blue LED is flashing once	DC cable connection incorrect
Blue LED is flashing two times	MOS failure
Blue LED is flashing three times	BIC (battery information collector) communication failed
Blue LED is flashing four times	Battery sensor failure
Blue LED is flashing five times	Volt sensor failure
Blue LED is flashing six times	Current sensor failure
Blue LED is flashing seven times	Battery failure
Blue LED is flashing eight times	Precharge failed
Blue LED is flashing nine times	BIC balance failure
Blue LED is flashing ten times	temperature sensor on battery control unit failure
Blue LED is flashing eleven times	BMS and BMU communication failure

## 12. Maintenance and Storage

### Cleaning

It is recommended that the battery system be cleaned periodically. If the enclosure is dirty, please use a soft, dry brush or a dust collector to remove the dust. Liquids such as solvents, abrasives, or corrosive liquids should not be used to clean the enclosure.

### Maintenance

The battery module should be stored in an environment with a temperature range between  $-10^{\circ}\text{C}$  ~  $+50^{\circ}\text{C}$ , and charged regularly according to the table below with no more than 0.5 C (A C-rate is a measure of the rate at which a battery is discharged relative to its maximum capacity. ) to the SOC of 40% after a long time of storage.

Storage environment temperature	Relative humidity of the storage environment	Storage time	SOC
Below $-10^{\circ}\text{C}$	/	Not allowed	/
$-10\sim 25^{\circ}\text{C}$	5%~70%	$\leq 12$ months	$25\% \leq \text{SOC} \leq 60\%$
$25\sim 35^{\circ}\text{C}$	5%~70%	$\leq 6$ months	$25\% \leq \text{SOC} \leq 60\%$
$35\sim 50^{\circ}\text{C}$	5%~70%	$\leq 3$ months	$25\% \leq \text{SOC} \leq 60\%$
Above $50^{\circ}\text{C}$	/	Not allowed	/

### NOTICE

#### Damage to the system due to under voltages





- Charge the over-discharged system within seven days when the temperature is above  $25^{\circ}\text{C}$ .
- Charge the over-discharged system within fifteen days when the temperature is below  $25^{\circ}\text{C}$ .

## 13. Disposal of the Battery System

Disposal of the system must comply with the local applicable disposal regulations for electronic waste and used batteries.

- Do not dispose of the battery system with your household waste.
- Avoid exposing the batteries to high temperatures or direct sunlight.
- Avoid exposing the batteries to high humidity or corrosive atmospheres.
- For more information, please contact BYD.

## 14. Technical Parameters

	 LVS Lite 4.0	 LVS Lite 8.0	 LVS Lite 12.0	 LVS Lite 16.0
Battery Module	LVS Lite (4 kWh, 51.2 V, 45 kg)			
Number of Modules	1	2	3	4
Usable Energy [1]	4 kWh	8 kWh	12 kWh	16 kWh
Max Cont. Output Current [2]	50 A	100 A	150 A	200 A
Peak Output Current [2]	75 A, 5 s	150 A, 5 s	225 A, 5 s	300 A, 5 s
Dimensions (H/W/D)	528 x 650 x 298 mm	761 x 650 x 298 mm	994 x 650 x 298 mm	1277 x 650 x 298 mm
Weight	64 kg	109 kg	154 kg	199 kg
Nominal Voltage	51.2 V			
Operating Voltage	40-57.6 V			
Operating Temperature	-10 °C to +50°C			
Battery Cell Technology	Lithium Iron Phosphate (cobalt-free)			
Communication	CAN			
Enclosure Protection Rating	IP55			
Round-Trip Efficiency	≥95%			
Scalability	Max. 8 Modules in Parallel (32 kWh)			
Certification	IEC62619 /UN38.3			
Applications	ON Grid / ON Grid + Backup			
Warranty [3]	10 Years			
Compatible Inverters	Refer to BYD Battery-Box Premium LVS Lite Minimum Configuration List			
Short Circuit Current	2300A			
Rated DC Power	2.56 kW	5.12 kW	7.68 kW	10.24 kW
Nonimal Capacity	4 kWh	8 kWh	12 kWh	16 kWh
Max Charge and Discharge Power	2.56 kW	5.12 kW	7.68 kW	10.24 kW
Max Charge and Discharge Current	50A	100 A	150 A	200 A
Battery Designation	IFpP/47/174/120/16S/M/-10+50/90			

[1] DC Usable Energy, Test conditions: 100% DOD, 0.2C charge & discharge at +25 °C. System Usable Energy may vary with different inverter brands.

[2] Charge derating will occur between -10 °C and +5 °C.

[3] Conditions apply. Refer to BYD Battery-Box Premium Limited Warranty.

## 15. Contact Information

---

### BYD Global Service

bboxservice@byd.com

Telephone: +86 755 89888888-47175

Address: No.3009, BYD Road,  
Pingshan, Shenzhen, 518118, P.R.China

www.bydbatterybox.com

Social media link

<https://www.facebook.com/BatteryBoxBYD/>

[https://twitter.com/BYD\\_BatteryBox](https://twitter.com/BYD_BatteryBox)

<https://www.linkedin.com/company/byd-battery-box>

---

**Australia** Alps Power Pty Ltd  
service @alpspower.com.au  
Telephone: +61 2 8005 6688  
Address: 14/47-51 Lorraine St  
Peakhurst NSW 221  
www.alpspower.com.au

**Europe** EFT-Systems GmbH  
service@eft-systems.de  
Telephone +49 9352 8523999  
+44 (0) 2037695998(UK)  
+34 91 060 22 67(ES)  
+39 02 873683(IT)  
Address: Bruchtannenstraße 28, 63801  
Kleinostheim, Germany  
www.eft-systems.de

---

**South Africa** AFRIPLUS ENERGY GROUP (PTY) LTD  
Support@afriplusenergy.co.za  
Telephone: +27 21 140 3594  
Address: The Pavilion, Corner of  
Dock & Portwood Road, V&A  
WATERFRONT, 8001, CAPE TOWN

**USA** BYD US Service  
bboxuservice@byd.com  
Telephone: +1(833) 338-8721

---

# Appendix Data Cable Connection Instruction with Inverters

Connection with GOODWE

BMU	GOODWE
PIN	PIN
4	4
5	5

Connection with SUNGROW

BMU	SUNGROW
PIN	PIN
4	4
5	5

Connection with SOLIS

BMU	SOLIS
PIN	PIN
4	4
5	5